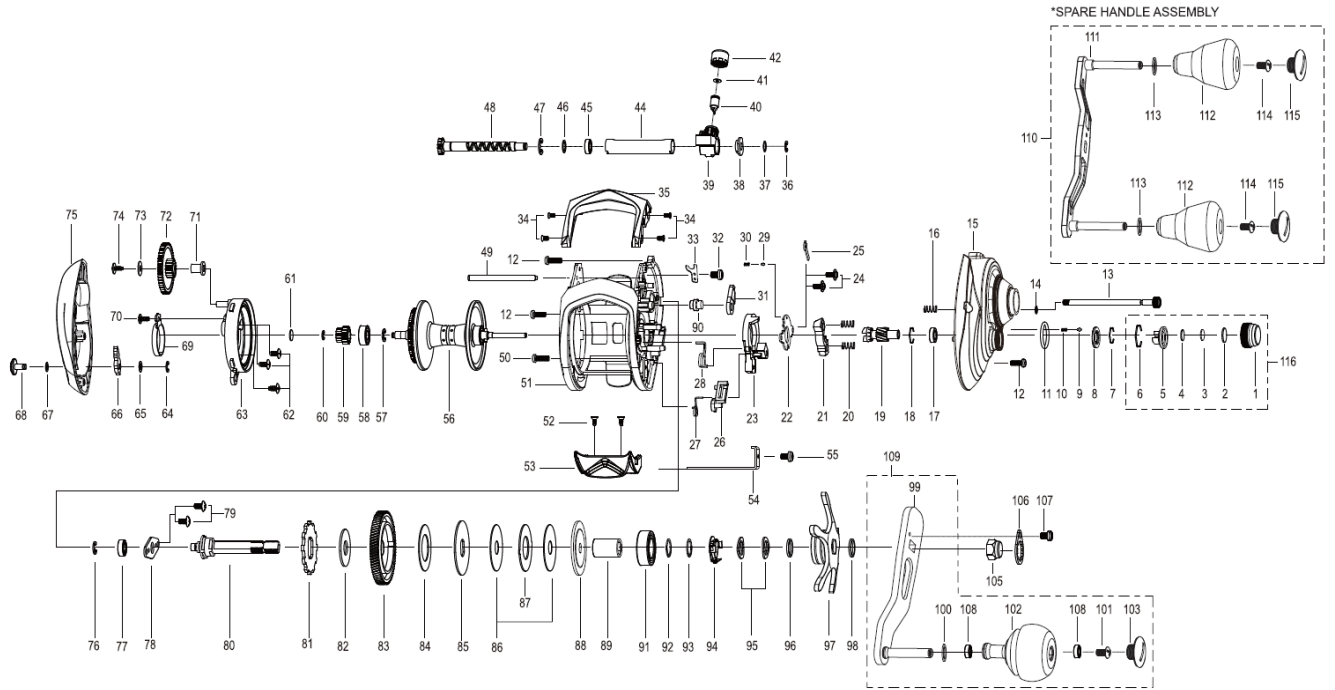




tailwalk

# ELAN SUPER WIDE POWER 81BR



KEY NO	部品名	税別価格	KEY NO	部品名	税別価格	KEY NO	部品名	税別価格
No.1	TENSION KNOB	① ¥300	No.42	NUT	¥300	No.83	DRIVE GEAR	¥2,500
No.2	WASHER	① ¥50	No.43	RETAINER	¥100	No.84	WASHER-L1	¥350
No.3	WASHER	① ¥50	No.44	PIPE	¥500	No.85	WASHER-D1	¥400
No.4	WASHER	① ¥50	No.45	BUSH	¥200	No.86	WASHER-L1	¥400
No.5	CONTROL PLATE	① ¥100	No.46	WASHER	¥50	No.87	WASHER-A	¥400
No.6	RING	① ¥50	No.47	RETAINER	¥100	No.88	WASHER-D2	¥450
No.7	RETAINER	¥100	No.48	WORM SHAFT ASSEMBLY	¥1,800	No.89	SLEEVE	¥500
No.8	CLICK PLATE	¥100	No.49	PILLAR	¥300	No.90	PIN	¥350
No.9	CLICK PIN	¥100	No.50	SCREW	¥100	No.91	BALL BEARING	¥600
No.10	COIL SPRING	¥100	No.51	FRAME ASSEMBLY	¥4,500	No.92	WASHER	¥100
No.11	O-RING	¥100	No.52	TAP SCREW	¥100	No.93	WASHER	¥50
No.12	SCREW	¥100	No.53	THUMB BAR	¥700	No.94	LEAF SPRING ASSEMBLY	¥400
No.13	THUMBSCREW	¥300	No.54	CLUTCH LINK	¥350	No.95	SPRING WASHER	¥100
No.14	WASHER	¥50	No.55	SCREW	¥100	No.96	DU WASHER	¥100
No.15	G/S COVER ASSY (1WAY)	¥4,000	No.56	SPOOL (1 BALL BEARING)	② ¥5300	No.97	STAR DRAG ASSEMBLY	¥900
No.16	COIL SPRING	¥100	No.57	RETAINER	② ¥100	No.98	WASHER	¥100
No.17	BALL BEARING	¥450	No.58	BALL BEARING	② ¥450	No.99	HANDLE ARM ASSEMBLY	⑤ ¥3,200
No.18	RING	¥100	No.59	SPOOL PINION	② ¥300	No.100	WASHER	⑤ ¥50
No.19	PINION	¥1,300	No.60	RETAINER	② ¥100	No.101	SCREW	⑤ ¥100
No.20	COIL SPRING	¥100	No.61	WASHER	③ ¥50	No.102	HANDLE KNOB ASSEMBLY	⑤ ¥2,800
No.21	CLUTCH	¥300	No.62	SCREW	⑤ ¥100	No.103	HANDLE KNOB CAP	⑤ ¥380
No.22	CAM PLATE	¥100	No.63	SPOOL COVER ASSEMBLY	③ ¥650	No.104		
No.23	CLUTCH CAM	¥300	No.64	RETAINER	③ ¥100	No.105	NUT	¥200
No.24	SCREW	¥100	No.65	WASHER	③ ¥100	No.106	RETAINER	¥300
No.25	PLATE	¥150	No.66	CLICK CLAW	③ ¥200	No.107	SCREW	¥100
No.26	KICK LEVER	¥350	No.67	WASHER	③ ¥50	No.108	BUSH	⑤ ¥200
No.27	SPRING	¥150	No.68	CLICK LEVER	③ ¥200	No.109	⑤ SINGLE HANDLE ASSEMBLY	¥6,000
No.28	SPRING	¥150	No.69	CLICK LEAF SPRING	③ ¥300	No.110	⑥ DOUBLE HANDLE ASSEMBLY	¥7,000
No.29	PIN	¥100	No.70	SCREW	③ ¥100	No.111	HANDLE ARM ASSEMBLY	⑥ ¥3,200
No.30	COIL SPRING	¥100	No.71	COLLAR	③ ¥100	No.112	HANDLE KNOB ASSEMBLY	⑥ ¥1,800
No.31	STOPPER ASSEMBLY	¥500	No.72	IDLE GEAR	③ ¥350	No.113	WASHER	⑥ ¥50
No.32	SCREW	¥100	No.73	WASHER	③ ¥100	No.114	SCREW	⑥ ¥100
No.33	PLATE	¥150	No.74	TAP SCREW	⑤ ¥100	No.115	HANDLE KNOB CAP	⑥ ¥380
No.34	SCREW	¥100	No.75	PALM SIDE COVER	⑤ ¥2,300	No.116	① TENSION KNOB ASSEMBLY	¥600
No.35	FRONT SUPPORT	¥1,000	No.76	RETAINER	¥100	②	SPOOL ASSEMBLY	¥6,000
No.36	RETAINER	¥100	No.77	BALL BEARING	¥450	③	SIDE COVER ASSEMBLY	¥5,000
No.37	WASHER	¥100	No.78	BEARING PLATE	¥200			
No.38	BUSH	¥200	No.79	SCREW	¥100			
No.39	LEVEL WIND ASSEMBLY	¥850	No.80	GEAR METAL	¥1,000			
No.40	LEVEL WIND PIN	¥300	No.81	RATCHET	¥350			
No.41	WASHER	¥50	No.82	WASHER	¥100			

税別単価

## 部品販売時の注意点

以下のアセンブリー（部分組立）部品の構成部品は、修理対象部品ならびに部品価格表記であり、原則として個別の部品販売は行っておりません。（個別のパーツ単価の合計と完成品の価格は異なることがあります。）

No.116 ① TENSION KNOB ASSEMBLY (No.1~No.6) No.15 G/S COVER ASSY (1WAY) ONE WAY CLUTCHのみ ¥1500

② SPOOL ASSEMBLY (No.56~No.60) ③ SIDE COVER ASSEMBLY (No.61~No.75)

No.109 ⑤ SINGLE HANDLE ASSEMBLY (No.99~No.103, No.108) No.103のみ個別販売が可能です。

No.110 ⑥ DOUBLE HANDLE ASSEMBLY (No.111~No.115) No.115のみ個別販売が可能です。

ワッシャーは調整のため図示と異なる数量となる場合があります。

※製造時期により KeyNo. が変わっている場合がありますので、パーツ在庫ならびに価格確認の際には KeyNo. とパーツ名を両方ご指示ください。

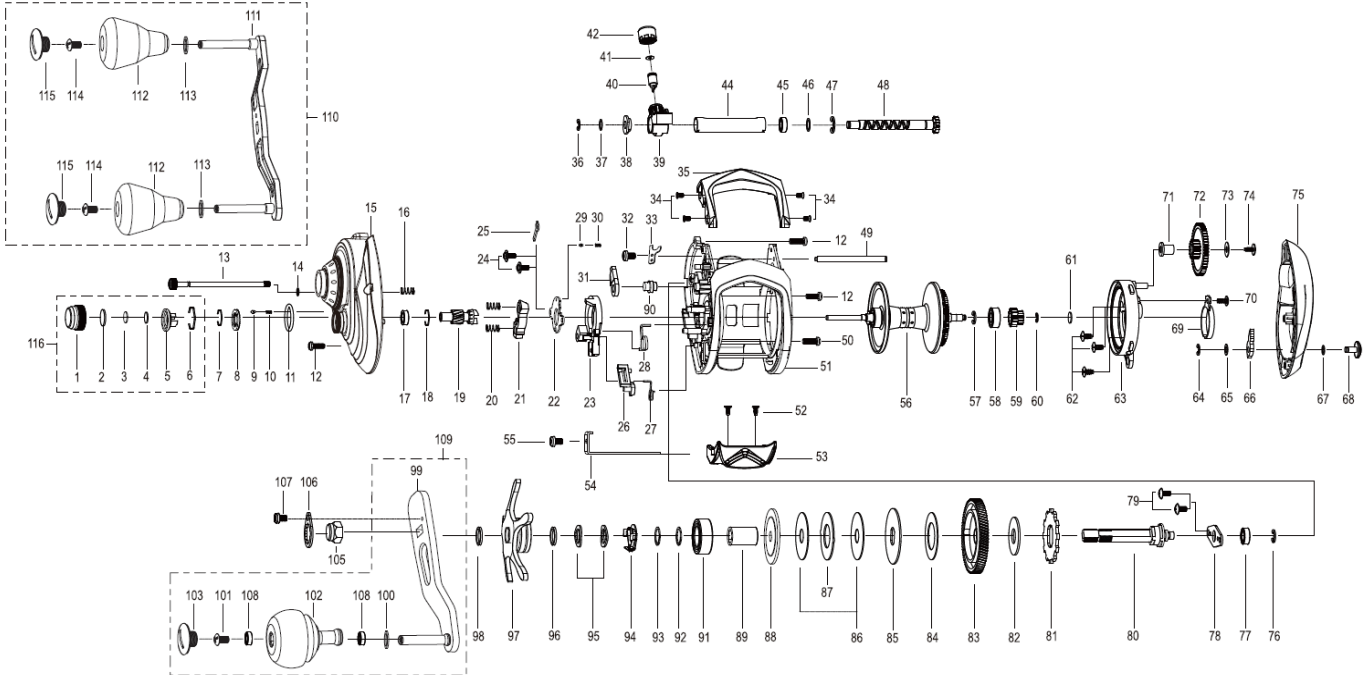
※価格は、税別単価になります。（ワッシャー・スクリューなどは、複数必要な場合があります）



tailwalk

# ELAN SUPER WIDE POWER 81BL

\*SPARE HANDLE ASSEMBLY



KEY NO	部品名	税別価格	KEY NO	部品名	税別価格	KEY NO	部品名	税別価格
No.1	TENSION KNOB	① ¥300	No.42	NUT	¥300	No.83	DRIVE GEAR	¥2,500
No.2	WASHER	① ¥50	No.43	PIPE	¥500	No.84	WASHER-L1	¥350
No.3	WASHER	① ¥50	No.44	BUSH	¥200	No.85	WASHER-D1	¥400
No.4	WASHER	① ¥50	No.45	WASHER	¥50	No.86	WASHER-L1	¥400
No.5	CONTROL PLATE	① ¥100	No.46	RETAINER	¥100	No.87	WASHER-A	¥400
No.6	RING	① ¥50	No.47	WORM SHAFT ASSEMBLY	¥1,800	No.88	WASHER-D2	¥450
No.7	RETAINER	¥100	No.48	PILLAR	¥300	No.89	SLEEVE	¥500
No.8	CLICK PLATE	¥100	No.49	SCREW	¥100	No.90	PIN	¥350
No.9	CLICK PIN	¥100	No.50	FRAME ASSEMBLY	¥4,500	No.91	BALL BEARING	¥600
No.10	COIL SPRING	¥100	No.51	TAP SCREW	¥100	No.92	WASHER	¥100
No.11	O-RING	¥100	No.52	THUMB BAR	¥700	No.93	WASHER	¥50
No.12	SCREW	¥100	No.53	CLUTCH LINK	¥350	No.94	LEAF SPRING ASSEMBLY	¥400
No.13	THUMBSCREW	¥300	No.54	SCREW	¥100	No.95	SPRING WASHER	¥100
No.14	WASHER	¥50	No.55	SPOOL (1 BALL BEARING)	② ¥5300	No.96	DU WASHER	¥100
No.15	G/S COVER ASSY (1WAY)	¥4,000	No.56	RETAINER	② ¥100	No.97	STAR DRAG ASSEMBLY	¥900
No.16	COIL SPRING	¥100	No.57	BALL BEARING	② ¥450	No.98	WASHER	¥100
No.17	BALL BEARING	¥450	No.58	SPOOL PINION	② ¥300	No.99	HANDLE ARM ASSEMBLY	⑤ ¥3,200
No.18	RING	¥100	No.59	RETAINER	② ¥100	No.100	WASHER	⑤ ¥50
No.19	PINION	¥1,300	No.60	WASHER	③ ¥50	No.101	SCREW	⑤ ¥100
No.20	COIL SPRING	¥100	No.61	SCREW	③ ¥100	No.102	HANDLE KNOB ASSEMBLY	⑤ ¥2,800
No.21	CLUTCH	¥300	No.62	SPOOL COVER ASSEMBLY	③ ¥650	No.103	HANDLE KNOB CAP	⑤ ¥380
No.22	CAM PLATE	¥100	No.63	RETAINER	③ ¥100	No.104		
No.23	CLUTCH CAM	¥300	No.64	WASHER	③ ¥100	No.105	NUT	¥200
No.24	SCREW	¥100	No.65	CLICK CLAW	③ ¥200	No.106	RETAINER	¥300
No.25	PLATE	¥150	No.66	WASHER	③ ¥200	No.107	SCREW	¥100
No.26	KICK LEVER	¥350	No.67	CLICK LEVER	③ ¥200	No.108	BUSH	⑤ ¥200
No.27	SPRING	¥150	No.68	CLICK LEAF SPRING	③ ¥300	No.109	⑤ SINGLE HANDLE ASSEMBLY	¥6,000
No.28	SPRING	¥150	No.69	SCREW	③ ¥100	No.110	⑥ DOUBLE HANDLE ASSEMBLY	¥7,000
No.29	PIN	¥100	No.70	COLLAR	③ ¥100	No.111	HANDLE ARM ASSEMBLY	⑥ ¥3,200
No.30	COIL SPRING	¥100	No.71	IDLE GEAR	③ ¥350	No.112	HANDLE KNOB ASSEMBLY	⑥ ¥1,800
No.31	STOPPER ASSEMBLY	¥500	No.72	WASHER	③ ¥100	No.113	WASHER	⑥ ¥50
No.32	SCREW	¥100	No.73	TAP SCREW	③ ¥100	No.114	SCREW	⑥ ¥100
No.33	PLATE	¥150	No.74	PALM SIDE COVER	③ ¥2,300	No.115	HANDLE KNOB CAP	⑥ ¥380
No.34	SCREW	¥100	No.75	RETAINER	¥100	No.116	① TENSION KNOB ASSEMBLY	¥600
No.35	FRONT SUPPORT	¥1,000	No.76	BALL BEARING	¥450	②	SPOOL ASSEMBLY	¥6,000
No.36	RETAINER	¥100	No.77	BEARING PLATE	¥200	③	SIDE COVER ASSEMBLY	¥5,000
No.37	WASHER	¥100	No.78	SCREW	¥100			
No.38	BUSH	¥200	No.79	GEAR METAL	¥1,000			
No.39	LEVEL WIND ASSEMBLY	¥850	No.80	RATCHET	¥350			
No.40	LEVEL WIND PIN	¥300	No.81	WASHER	¥100			
No.41	WASHER	¥50	No.82					

税別単価

## 部品販売時の注意点

以下のアセンブリー（部分組立）部品の構成部品は、修理対象部品ならびに部品価格表記であり、原則として個別の部品販売は行っておりません。（個別のパーツ単価の合計と完成品の価格は異なることがあります。）

No.116 ① TENSION KNOB ASSEMBLY (No.1~No.6) No.15 G/S COVER ASSY (1WAY) ONE WAY CLUTCHのみ ¥1500

② SPOOL ASSEMBLY (No.56~No.60) ③ SIDE COVER ASSEMBLY (No.61~No.75)

No.109 ⑤ SINGLE HANDLE ASSEMBLY (No.99~No.103, No.108) No.103のみ個別販売が可能です。

No.110 ⑥ DOUBLE HANDLE ASSEMBLY (No.111~No.115) No.115のみ個別販売が可能です。

ワッシャーは調整のため図示と異なる数量となる場合があります。

※製造時期により KeyNo. が変わっている場合がありますので、パーツ在庫ならびに価格確認の際には KeyNo. とパーツ名を両方ご指示ください。

※価格は、税別単価になります。（ワッシャー・スクリューなどは、複数必要な場合があります）